

## Specifications

EcoPlus LED light-box sits on, and clipped to, Sky Factory Elevator with seated Luminous SkyTile  
 EP22 - 23.75" x 23.75" x 7.25" deep nominal (includes Elevator & SkyTile)  
 EP22M - 59.14cm x 59.14cm x 18.5cm deep metric (includes Elevator & SkyTile)  
 EP22G - 61.64cm x 61.64cm x 18.5cm deep German Metric (includes Elevator & SkyTile)

### 1 Lighting (LED back lit light-box):

Color temperature: 6500K  
 Strict LED binning standards assure consistent & high quality illumination  
 State of the art edgelit technologies provide uniform illumination for the Luminous SkyTile graphic  
 Housed in a white powder-coated, extruded (non-ferrous) aluminum frame  
 Moisture and chemical resistant  
 Each unit has a four knock-out outlet box  
 Use in MRI, and other RF-free environments

### 2 Luminous SkyTile (lens):

Acrylic, Acrylite, or polycarbonate substrate  
 Lightweight & durable  
 High resolution reproduction from proprietary digital image file  
 Color-calibrated for 6500 Kelvin light source  
 Non-glare matte finish  
 Fade resistant pigmented inks containing UV inhibitors  
 Designed to fit Luminous SkyTile Elevator

### 3 Luminous SkyTile Elevator (frame):

Moisture resistant, light weight aluminum  
 Quick and easy installation  
 Powder coated, white matte finish to match standard grid  
 Compatible with standard 15/16" or 24mm grid systems  
 Precision machined corners, seamless architectural appearance

### UL, CSA, and CE Certified:

EP22 Series when used with 24PS Power System, UL Listed  
 or CE Compliant power supply fully certified by Intertek Group plc

### Electrical:

24V DC, .93 Amps, 22.4 Watts per EP22 Series fixture  
 TSF 24PS proprietary 24V DC power system  
 Converts 90-264V AC to 24V DC  
 Comes in various electrical sizes:  
 2-25A @ 115V AC input (2.5-44A, 60-1500W @ 24V DC output)  
 Provides up to 4 individual 24V DC 12A fused branch circuits  
 Size/output is determined by quantity of EP22 Series fixtures  
 (calculated and supplied by The Sky Factory)  
 Dimming option available  
 See LSC 24PS Power System Technical Specifications sheet  
 Sky Factory provided HLG power supply  
 Converts 90-305V, 47-63 Hz to 24V DC  
 Client provided UL Listed or CE Compliant power supply  
 Must convert V AC to 24V DC

### Items not provided:

AC wiring between fuse/breaker panel and 24V DC power system  
 DC wiring between 24V DC power system and EcoPlus fixture  
 Dimmer wiring between 24V DC power system and switch/dimmer control box  
 RFI/EMI filters for MRI installations  
 See EcoPlus Luminous SkyCeiling Installation Instructions; and  
 EcoPlus Electrical Packet (TSF), EcoPlus Electrical Instructions (HLG) or  
 EcoPlus Electrical Instructions (ES Only)

### Ceiling Clearance Dimensions:

Minimum space required above ceiling grid ranges from 7.25" (18.5cm) – 11" (28cm)  
 depending on extent of EcoPlus pre-assembly before installation in grid,  
 and access to adjacent grid sections

### Installation:

Elevators, tiles and luminaires easily installed into standard 15/16" or 24mm grid systems.  
 EP22 Series can be grouped with EP24 Series EcoPlus fixtures.  
 EcoPlus Rectilinear SkyCeilings with perimeter can be recessed into a variety of hard ceilings.

### Factory Installed Options:

Seismic

### US Patent Information:

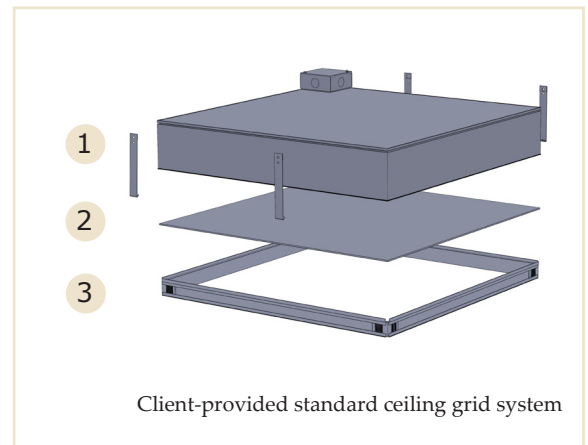
Our products, systems, and methods may be protected by one or more  
 of the following US Patents, Pat. 8,851,700, Pat. 7,959,316, and Pat. 7,481,550,  
 as well as other patents pending.

## EcoPlus LSC EP22 Series

LSC EP22, EP22M, EP22G

Ceiling Grid Mount

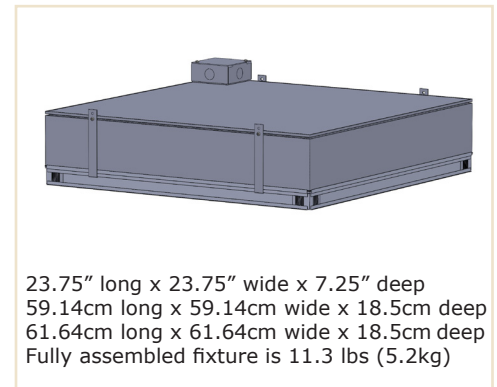
Backlit Sky Image Ceiling



## Key Attributes:

15/16" (24mm) ceiling grid mount  
 Low profile – 7.25" (18.5cm) high  
 6500 Kelvin – cool daylight  
 Non-ferrous, RF-free construction

## Dimensions and Weight



## Sample Configurations

